



TrackNet LMU-2600 Series Installation and Troubleshooting guide

Wired Device Installation Guide

LMUs with internal antennas should be placed to maximize their GPS performance with the white label facing the sky. A typical location is under the dash close to the front wind-shield. Attach the LMU to the solid body of the vehicle, not to plastic panels. The LMU can be placed out of sight by removing interior trim and molding to expose available space, then replacing the trim once the LMU is in place.

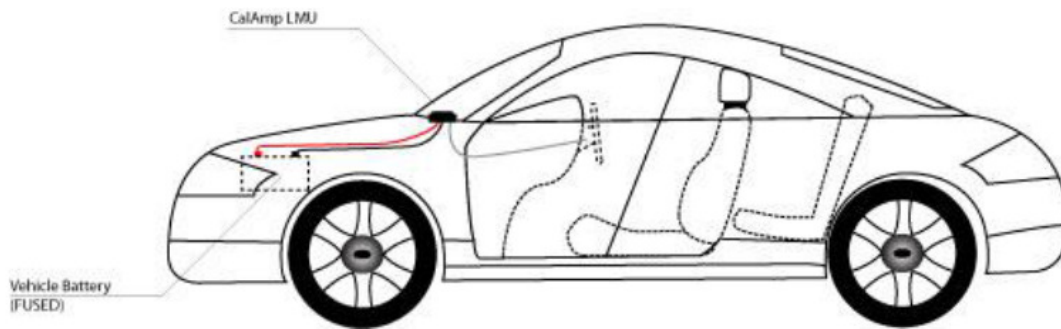


Connect power, ignition, and ground

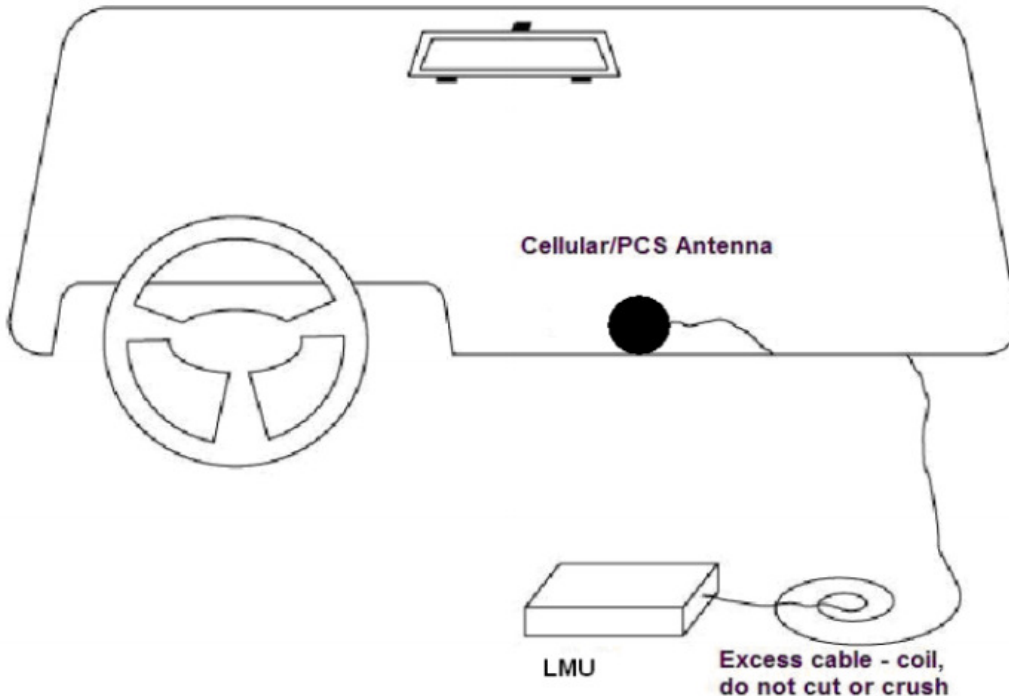
1. The power input (red wire) must be connected to a constant (un-switched) +12 VDC or +24 VDC supply; preferably, connected directly to the vehicle battery terminal or as close to it as possible. This connection point should be fuse protected to not more than 5 Amps.

TrackNet LMU-2600 Series Installation and Troubleshooting guide

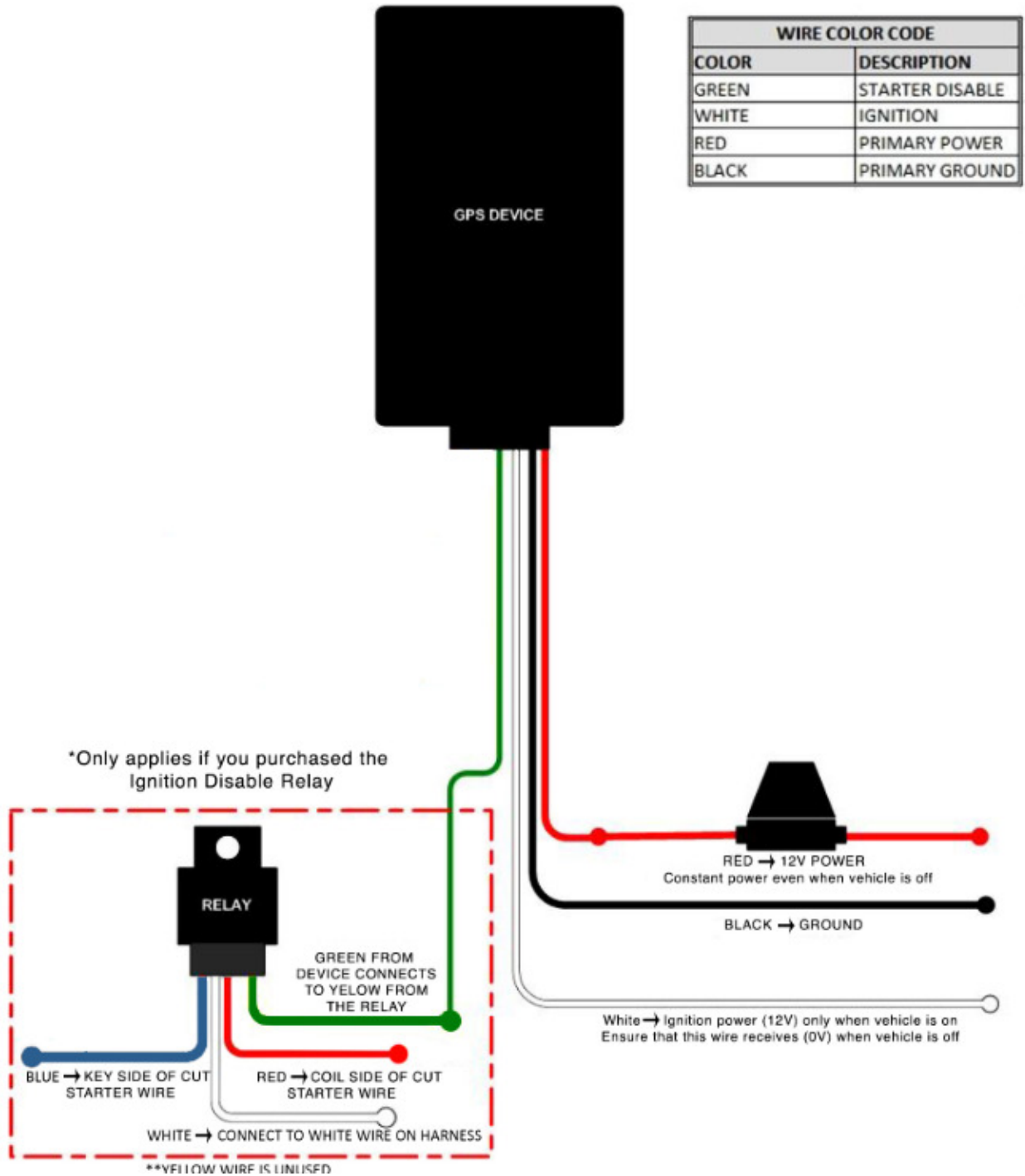
2. The ground line (black wire) must be connected to chassis ground. Failure to connect these lines in the manner described may result in discharge of the vehicle battery.
3. The ignition input (white wire) must be connected to the vehicle ignition or another appropriate key operated line, such as ACCESSORY, ensuring that power to the ignition wire is available only when the vehicle ignition is on.



LMU-2500™ Hardware and Installation Guide



TrackNet LMU-2600 Series Installation and Troubleshooting guide





TrackNet LMU-2600 Series Installation and Troubleshooting guide

IMPORTANT TIPS

- Mount device inside dash at highest position with sticker (bar codes) facing up.

Note: **DO NOT PLACE DEVICE UNDER ANY METAL.**

BEFORE CONNECTING TO CONSTANT POWER-ALL WIRES MUST BE CONNECTED (OR INSULATED) TO AVOID ELECTRICAL DAMAGE

- Locate and connect power, ground & ignition wires.
- Connect relay and relay socket for starter disable, if applicable.
- Verify LED Status:

Orange=GSM/GPRS

Rapid blinking-searching for cellular signal.

Solid orange-cellular registered.

Green=GPS

Blinking-searching for GPS signal. **Solid**-GPS lock.

- Log on to system to verify communication, and to confirm proper starter disable functionality, if applicable.

INSTALLATION COMPLETE



TrackNet LMU-2600 Series Installation and Troubleshooting guide

LMU Tracking Unit Troubleshooting Guide

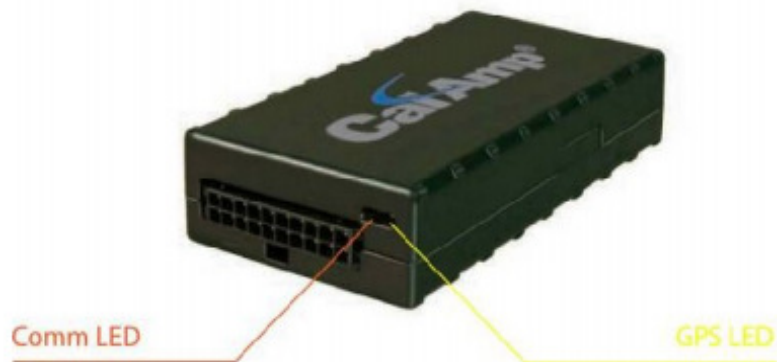
The LMU-2600™ is equipped with two Status LEDs, one for GPS and one for COMM (wireless network status). The LEDs use the following blink patterns to indicate service:

LED #1 (Comm LED - Orange) Definitions

Condition	LED 1
Modem Off	Off
Comm On - Searching	Slow Blinking
Network Available	Fast Blinking
Registered but no Inbound Acknowledgement	Alternates from Solid to Fast Blink every 1s
Registered and Received Inbound Acknowledgement	Solid

LED #2 (GPS LED - Yellow) Definitions

Condition	LED 1
GPS Off	Off
GPS On	Slow Blinking
GPS Time Sync	Fast Blinking
GPS Fix	Solid





TrackNet LMU-2600 Series Installation and Troubleshooting guide

CalAmp 2600 Light sequences:

Problem	Solution
No LED lit	The unit is not getting constant power/or ground
Both LED's always lit (should reset with ignition)	The white wire is connected to constant power, the white wire should be moved to a switched power source
Comm LED is slow blinking, no cell signal	Check for proper installation of the unit (or antenna) verify that the SIM card is seated properly verify that the data account is active
GPS LED is not lit, no GPS signal	Verify proper installation of the unit (or antenna), verify that GPS side is up and has a clear view of the sky
Time updates/changes, location does not	GPS antenna is unplugged or view of sky is obstructed